

# AC1200 Wireless Dual Band Gigabit VDSL2 Modem Router

## ZXHN H267A



## Product Highlights

- Dual band concurrent Wi-Fi up to 1200Mbps enables multiple wireless HD video streams
- Auto sensing VDSL2/ADSL2+ full profiles/Gigabit Ethernet WAN
- Advanced telephony features with embedded DECT base station and VoIP functionalities
- Full Gigabit ports ensure ultrafast data transfer speeds
- USB 2.0 for shared storage or 3G/LTE Dongle
- Optional external antennas

## Overview

ZXHN H267A AC1200 Wireless Dual Band Gigabit VDSL2 modem router is an incredibly fast router delivering AC1200 Wi-Fi and Gigabit Ethernet speeds. With 802.11ac technology, you get 3x faster access than with similar 802.11n technology and more reliable streaming. It delivers the speed and reliability needed for applications such as smooth, lag-free, multiple HD video streaming, multi-layer gaming, Voice over IP and ultra-fast speed for a secure and reliable connection to the Internet. Integrated DECT CAT-iq 2.0 base station could support high definition voice services. H267A can support up to five handsets and work seamlessly with CAT-iq 2.0 certifiable DECT handsets. What's more, H267A features a Gigabit Ethernet WAN port, which makes it ideal for deployment in FTTH scenario, giving you the flexibility to access the Internet using whichever method is most convenient.

**ZTE** ZTE CORPORATION

NO.55,Hi-tech Road South, Shenzhen, P.R.China Postcode:5180057  
Website: www.zte.com.cn Tel: +86-755-26770000 Fax: +86-755-26771999

# AC1200 Wireless Dual Band Gigabit VDSL2 Modem Router

## Datasheet H267A

### Features



#### Flexible Internet Accessing

##### ■ State-of-the-art 802.11ac and 802.11n Dual Band Concurrent Wi-Fi

The H267A supports 802.11b/g/n Wi-Fi@ and 802.11a/n/ac Wi-Fi in Dual-Band concurrent Wi-Fi mode. Its Wi-Fi speed can reach up to 1200Mbps, consisting of 300Mbps(802.11n 2x2@2.4GHz) and 867Mbps(802.11ac 2x2 @5GHz).

##### ■ Advanced telephony features with embedded DECT functionalities

An integrated DECT (Digital Enhanced Cordless Telecommunications) base station offers support for up to five DECT phones. The H267A is designed to work seamlessly with the next generation CAT-iq 2.0 certifiable DECT handset.

##### ■ Effortless Support for Multiple HD Video Streams

With the 11ac Wi-Fi and Gigabit Ethernet interface, the H267A could support multiple HD video streams simultaneously and effortlessly.

##### ■ Mature IPv6 Capability

With supporting IPv4/IPv6 Dual Stack, the H267A helps operators and end users to achieve a future-proof network with smooth evolution.

##### ■ Advanced Content Sharing: DLNA Media Server

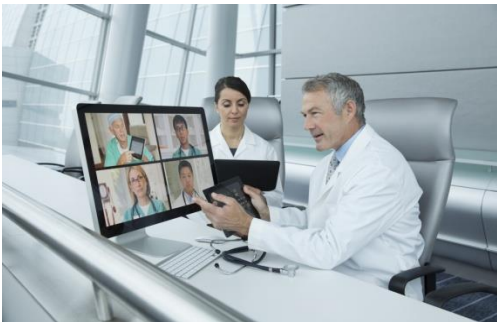
The H267A can act as a DLNA Digital Media Server(DMS). Any DLNA Digital Media Player (DMP) connected to the network, could find and play all the media content including video, music and photos on the storage connected to the USB ports on H267A.

##### ■ Quality of Service (QoS)

The QoS features on H267A enable service providers to design QoS policies and prioritize mission-critical services such as IPTV and Internet freely based on their individual service plans. This in turn allows service providers to deliver real multi-play applications to users and increase network efficiency.

##### ■ Robust TR-069 Remote Management

The H267A works with TR-069 standard management specifications, allowing remote management and diagnosis, reducing the manpower needed for on-site maintenance, and increasing CSI (Customer Satisfaction Index). This unique feature not only offers users a true "plug-and-play" experience but also reduces deployment complexity, thereby saving operation and maintenance costs.



#### High Quality Streaming



#### High Definition Voice

# AC1200 Wireless Dual Band Gigabit VDSL2 Modem Router

## Datasheet H267A

### Technical Specifications

Hardware	
Interfaces	<ul style="list-style-type: none"><li>• 1 10/100/1000Mbps RJ-45 WAN port</li><li>• 1 RJ-11 VDSL2/ADSL2+ port</li><li>• 4 10/100/1000Mbps RJ-45 LAN ports</li><li>• 2 RJ-11 FXS ports</li><li>• 1 USB 2.0 port</li></ul>
Buttons	<ul style="list-style-type: none"><li>• Power ON/OFF</li><li>• WPS</li><li>• Reset</li><li>• WLAN</li><li>• DECT</li></ul>
LEDs	<ul style="list-style-type: none"><li>• Power, Broadband, Internet, WLAN, WPS, Phone, USB, DECT</li></ul>
Antenna	<ul style="list-style-type: none"><li>• Internal antennas(Optional external antennas)</li></ul>
VDSL Standards	<ul style="list-style-type: none"><li>• G.993.2 VDSL2 (Up to 30a profile)</li><li>• G.993.5 (G.vectoring) compliance</li><li>• G.INP</li><li>• Bandplan: Annex A/B</li><li>• Dual latency</li><li>• UPBO/DPBO</li><li>• Double-end line test(DELT)</li><li>• RFI Notching</li><li>• Bit Swap</li></ul>
ADSL Standards	<ul style="list-style-type: none"><li>• G.992.1 (G.dmt), G.992.2 (G.lite), G.992.3 (ADSL2),G.994.1(G.hs)</li><li>• G.992.5 (ADSL2+),G.997.1</li><li>• Annex A/B/I/J/L/M</li><li>• ADSL physical connection ATM AAL5</li><li>• Supports multiple protocols over</li><li>• AAL5 (RFC2684/1483)</li></ul>
Wi-Fi	<ul style="list-style-type: none"><li>• Frequency: 2.4 GHz, 5GHz</li><li>• IEEE 802.11a/n/ac Wi-Fi @ 5GHz(2x2)</li><li>• IEEE 802.11b/g/n Wi-Fi @ 2.4GHz(2x2)</li><li>• WEP/WPA/WPA2 Security</li><li>• Up to four broadcast/hidden SSIDs on each band</li></ul>
DECT	<ul style="list-style-type: none"><li>• CAT-iq 2.0 ready</li><li>• Up to 5 simultaneous handsets</li></ul>
USB	<ul style="list-style-type: none"><li>• File/ Printer sharing</li><li>• DLNA DMS</li><li>• USB backup/restore configuration</li><li>• 3G/LTE dongle</li></ul>

# AC1200 Wireless Dual Band Gigabit VDSL2 Modem Router

## Datasheet H267A

### Technical Specifications

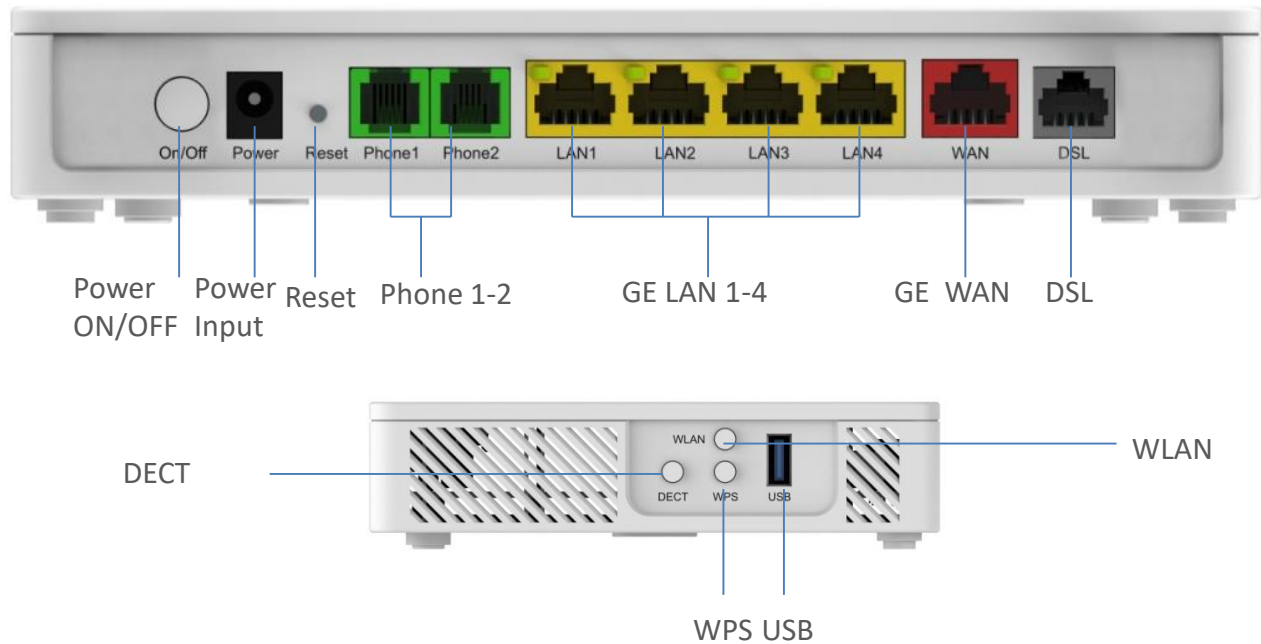
Software	
Networking	<ul style="list-style-type: none"><li>• IPv4/IPv6 Dual Stack</li><li>• NAT/PAT/ALG</li><li>• Port mapping/DMZ/Virtual server</li><li>• UPnP IGD with NAT traversal capability</li><li>• Static routing/dynamic routing</li><li>• Dynamic DNS relay</li><li>• DHCP client/server</li><li>• IGMP and MLD snooping/proxy</li></ul>
QoS	<ul style="list-style-type: none"><li>• Flexible packet classification</li><li>• Up to eight queues</li><li>• SP/DWRR/SP+DWRR</li><li>• Wi-Fi Multimedia (WMM)</li></ul>
Security	<ul style="list-style-type: none"><li>• Stateful Packet Inspection (SPI)</li><li>• Denial of Service (DoS) prevention</li><li>• Multiple VPN (IPSec, PPTP, L2TP) passthrough</li><li>• MAC/IP/URL filtering</li><li>• Black and white list</li></ul>
Management	<ul style="list-style-type: none"><li>• TR-069 remote management</li><li>• Web GUI management</li><li>• Local built-in diagnostic function</li><li>• Logs and statistics</li><li>• Remote upgrade by HTTP</li></ul>
Others	
Electrical Characteristics	<ul style="list-style-type: none"><li>• AC adapter: 12V DC, 1.5 A</li><li>• Power consumption: 9.5 Watts</li></ul>
Physical Characteristics	<ul style="list-style-type: none"><li>• Net weight: 350 g</li><li>• Dimensions: 210x140x32 mm</li></ul>
Environmental Characteristics	<ul style="list-style-type: none"><li>• Operating temperature: 0 ° C ~ 40 ° C (32° F ~ 104° F)</li><li>• Humidity: 5% ~ 95% (non-condensing)</li></ul>
Certification	<ul style="list-style-type: none"><li>• CE certification</li><li>• Wi-Fi certification</li></ul>

**Note:** Not every listed feature will be included in the shipping product. We reserve the right to make changes of technical specifications, housing or design without prior notice.

# AC1200 Wireless Dual Band Gigabit VDSL2 Modem Router

## Datasheet H267A

### Connection Diagram



### Application Scenario

